

Technical Specifications

Full HD Compact Box IP Camera

FOR INTERNAL APPLICATIONS

- Full HD 1080p 30fps
- H.264 and MJPEG compression
- Day/Night and WDR
- CS Mount
- Burnt-in Text, Video Motion Detection
- Embedded VCA Technology Video Analytics
- SD/SDHC memory card slot
- Power over Ethernet (IEEE 802.3af)



CAMERA	
Model	IPN1402HD-6117
Image Sensor	SONY EXMOR 1/2.9" 1080p CMOS
Effective Pixels	1920 x 1080
Scanning System	Progressive scanning
AGC Control	Auto
Minimum Illumination	Color: 0.5Lux / B/W : 0.001Lux (DSS ON)
Lens Mount	CS Mount
Recommended Lens** (Optional)	AG3Z3112FCS-MPIR: 3.1(w) – 8.0mm(t), 105.4° to 42.2°(horizontal AoV), F1.2, DC-iris
Shutter Time	1/10,000s to 1/2s
Day & Night	Digital Day & Night
Wide Dynamic Range	Digital WDR
Focus Assist	Supported

VIDEO	
Video Compression	H.264 Baseline, Main, High profile(MPEG-4 Part 10/ AVC), MJPEG(Motion JPEG)
Video Streaming	Dual Stream, Configurable streams in H.264, MJPEG H.264: Controllable frame rate, bandwidth(VBR/CBR) MJPEG: Controllable frame rate, JPEG quality
Resolutions	16:9 mode 1920 x 1080, 1280 x 720, 1120 x 630, 960 x 540, 800 x 450, 640 x 360, 480 x 270, 320 x 180
	4:3 mode* SXGA(1280x960), XGA(1024x768), SVGA(800x600), PAL(720x576), NTSC(720x480), VGA(640x480), QVGA(320x240)
Frame Rate	H.264: Max 30fps in all resolution MJPEG: Max 30fps in all resolution
Image Settings	Configurable brightness, contrast, saturation, sharpness
Image Orientation	Flip / Mirror / Corridor Mode(-90°, +90°)
Noise Filter	Supported (0 ~ 3)
Defogging*	Supported
Smart Bitrate Control	Supported (It works in VBR mode)
Exposure Adjustment	+1.0, +0.6, +0.3, 0, -0.3, -0.6, -1.0 EV
White Balance	ATW1 / ATW2 / Push / Manual
Back Light Compensation	On(possible to designate zone) / Off
Flicker Control	Normal, 50Hz, 60Hz

DSS (Sens-up)	2X ~ 16X
Video Stabilization	Supported
Burnt-in Text	Time stamp and text caption overlay
Privacy Mask	4 configurable regions
Analogue Output	-

AUDIO	
Audio Streaming	-
Audio Compression	-
Audio input / output	-

NETWORK	
Ethernet Standard	10 / 100 Base-T
IP	IPv4, IPv6
Protocol	QoS Layer 3 DiffServ, TCP/IP, UDP/IP, HTTP, HTTPS, FTP, RTSP, RTCP, RTP/UDP, RTP/TCP, mDNS, UPnP™, SMTP, DHCP, DNS, DynDNS, NTP, SNMPv1/v2c/v3(MIB-II), IGMP, ICMP, SSLv2/v3, TLSv1, SRTP*, RTMP*
Security	HTTPS(SSL), IP Filtering, Multi-level access with password protection
Users	Live viewing for up to 10 clients

INTEGRATION	
Application Programming Interface	Software Development Kit(SDK) available
ONVIF Compliance	Profile S, Profile G
Event Sources	Video Motion Detection; Face Detection*; Tamper Detection; Video Content Analytics(VCA); Network Loss/Detect; Network Setting Change; Time(Recurrence/Schedule); Storage Error*
Event Actions	File upload: E-mail, FTP Notification: E-mail, FTP, HTTP, TCP Recording Event Log Saving
Event Metadata Streaming (RTSP/RTP)	Video Motion Detection(MD); Video Content Analytics(VCA)

GENERAL	
Material	Plastic; White
External I/O Terminals	-
Language on webpage	Korean, English, Chinese

*Supported in FW V1.10.0.7 or the above

**The recommended lens list is provided for the optimal image quality of IPN1402HD. The use of other lenses, which are not in the recommended list may limit the resolution of the camera.

***Class4 or higher SD cards recommended for HD recordings

Technical Specifications

Power Source / Consumption	PoE / 3.84W @ PoE
Operating conditions	Humidity up to 85% RH (non-condensing) [PoE] -10°C ~ 50°C (14°F ~ 122°F)
Approvals	FCC, CE, KC
Weight	200g
Dimensions (W x H x D)	64mm x 50mm x 97.5mm (2.5" x 2.0" x 3.8")

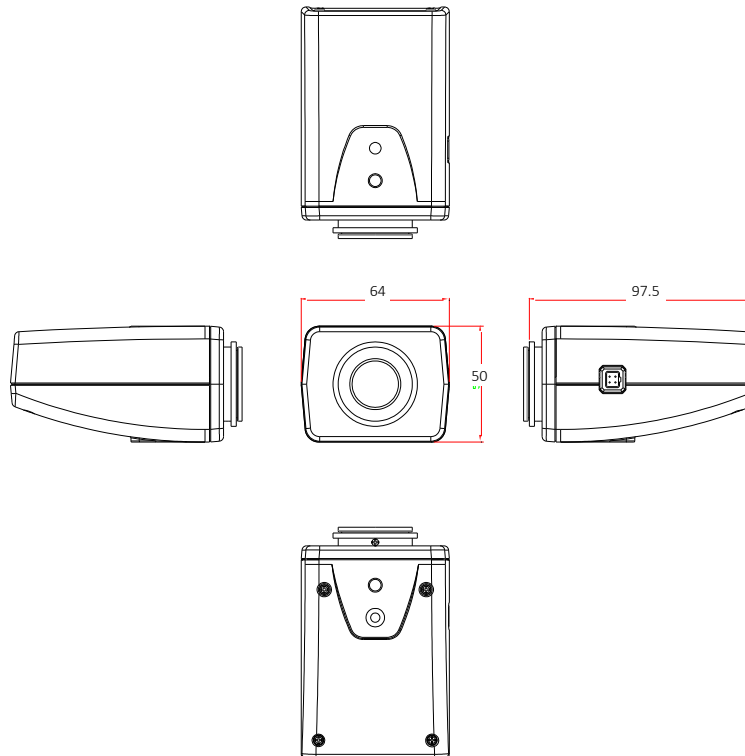
EDGE STORAGE	
Storage	1x microSD/microSDHC memory card slot (SD/SDHC up to 32GB, card not included)***
Recording Types	Continuous Recording or Event Recording
Continuous Recording	Instant recording; Search & Download
Event Recording	Search of Event Logs; Playback; Download

VIDEO ANALYTICS	
Analytics Engine	VCA Technology's advanced tracking algorithm with rich library of detection behaviors
Detection Zones and Rules	40 zones (Multi-segment Polygons and Lines) in total 60 rules in total
Tamper Detection	Supported
Auto Tracking	-
VCA Preset	-

VIDEO ANALYTICS (Optional Features)	
Detection Behavior	Enter, Exit, Appear, Disappear, Stop, Direction, Dwell filter; Tailgating; Color Filter
Logical Rules	Extends standard rules to allow various combinations of the inputs
3D Behavior	Perspective Corrected Size and Speed Filters
Object Classification	Configured Max./Min. object sizes and Max./Min. speeds
People Tracking	Tracks individuals separately among overlapped multiple people
Counting Line	High accuracy people and vehicle counting
Counting	20 counters in total
Counter Report	Generates counter reports based on the counter database
Heatmap Report*	Shows relative crowd density of the 24 hour period (criterion: midnight)
Meta Data	Plain XML Format

Dimensions

(Unit: mm)



Asia-Pacific:

UDP Technology Ltd.
 A-410, 583, Yangcheon-ro
 Gangseo-gu, Seoul
 07547, Korea
 Tel: +82-2-2605-1486
 Email: sales@udptechnology.com
 © UDP Technology Ltd. | 11-2016-A

Europe, Middle East, Africa:

VCA Technology Ltd.
 Unit 119, Trident Court
 1 Oakcroft Rd., Chessington, Surrey
 KT9 1BD, UK
 Tel: +44-20-3044-2884
 Email: sales_eu@udptechnology.com

Americas:

VCA, Inc.
 4700 Innovation Drive
 Unit B3, Fort Collins
 Colorado 80525, USA
 Tel: +1-970-206-0750
 Email: sales_usa@udptechnology.com

